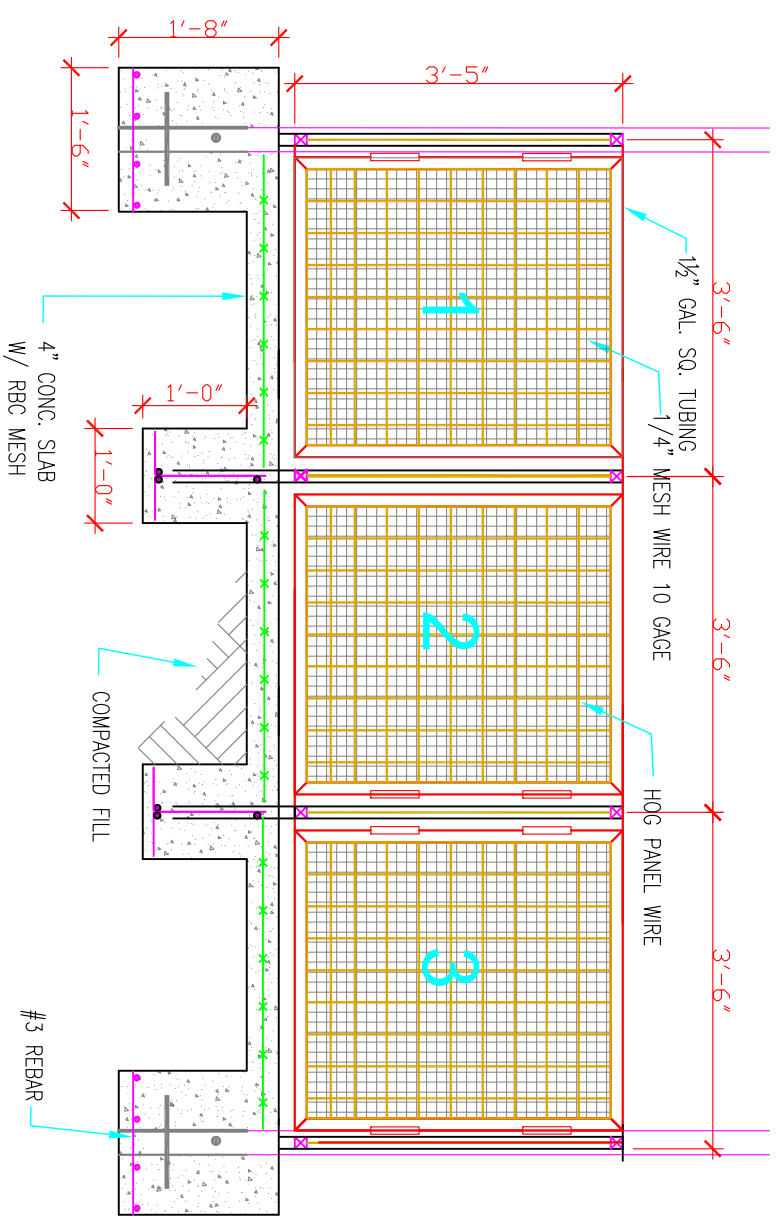
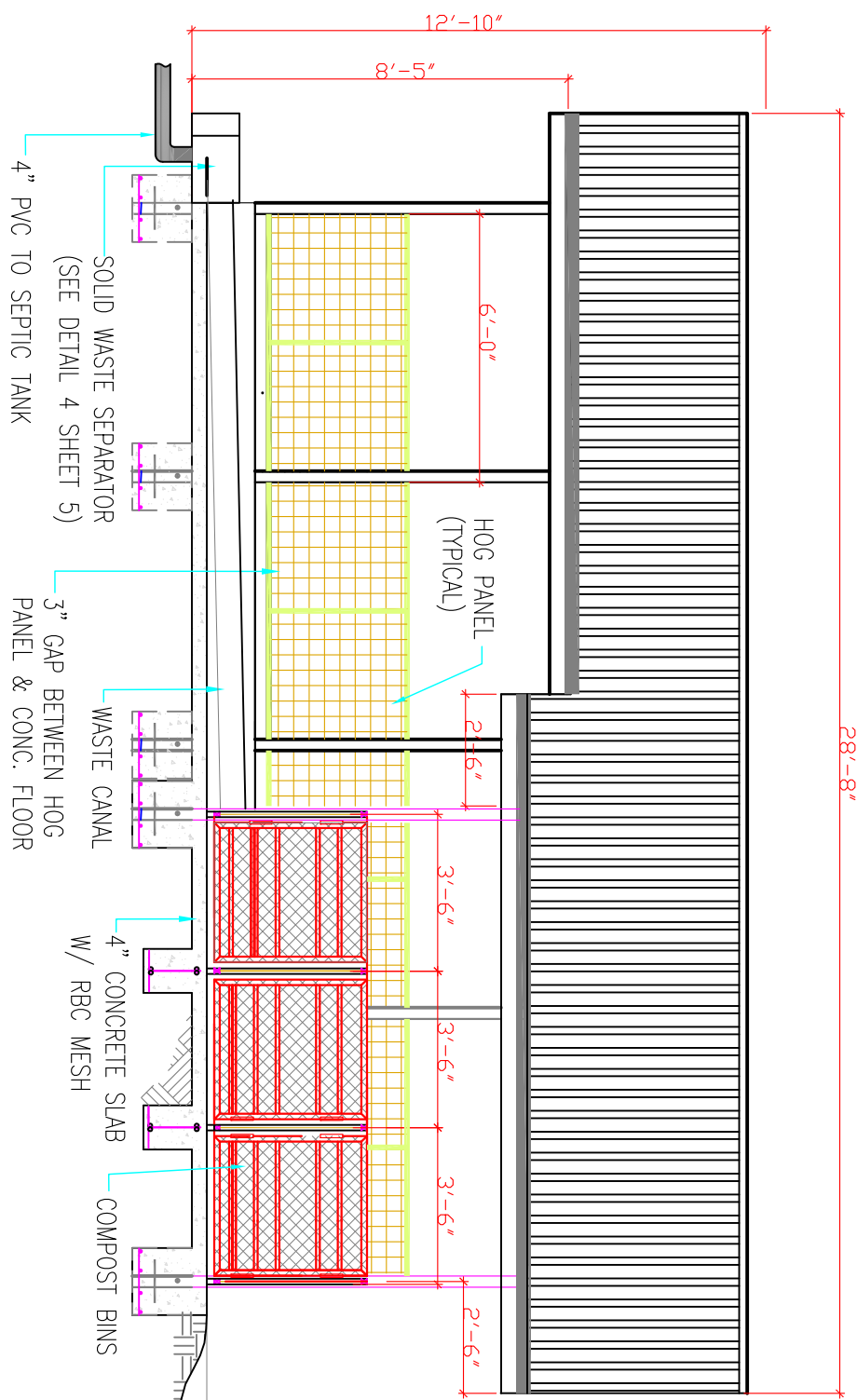


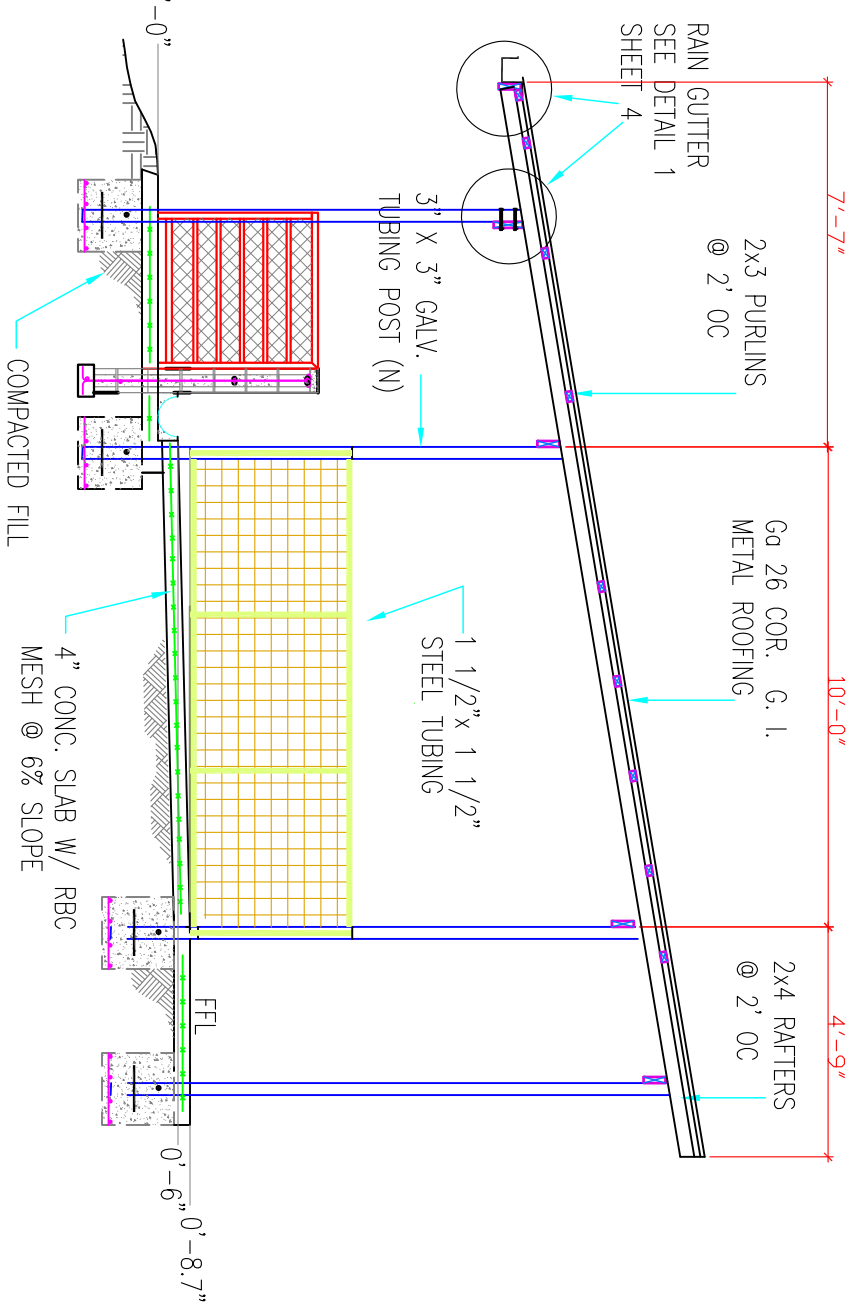
4 COMPOST BIN DETAIL (REAR VIEW)  
1/2"=1'



3 COMPOST BIN DETAIL (FRONT VIEW)  
1/2"=1'



2 FRONT VIEW  
1/4"=1'

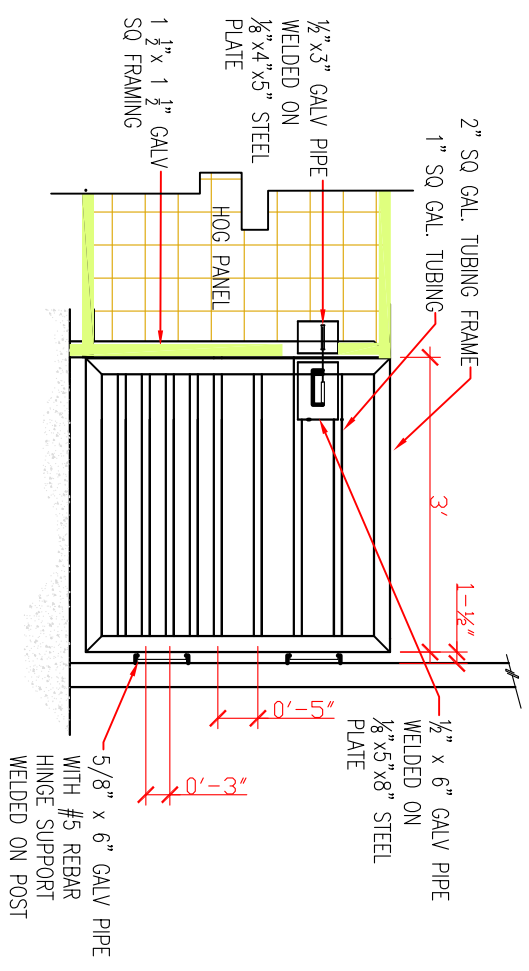


1 RIGHT SIDE VIEW  
1/4"=1'

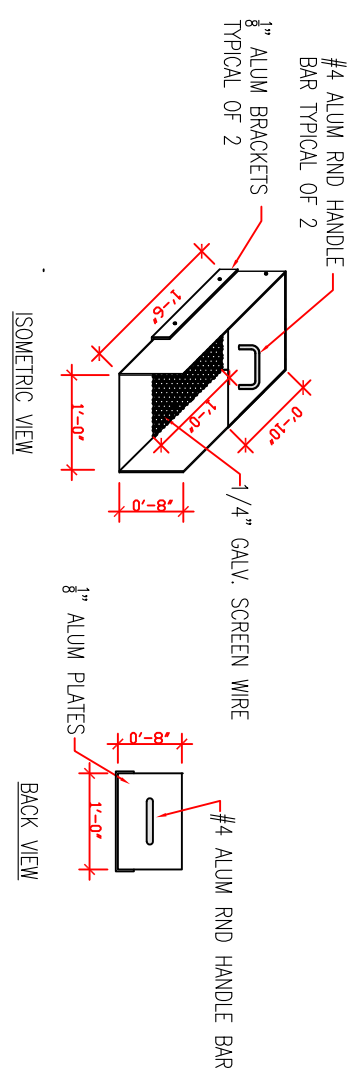
SHEET NO. <b>3</b>	PROJECT: ENGINEERING DESIGNS FUNDED BY ANA GRANT "PIGS IN PARADISE"	CLIENT:	SHEET TITLE: BUILDING PROFILES & COMPOST BIN DETAILS	DATE:	SHEET NO. <b>3 OF 4</b>
DATE: .	REVISION: .	CLIENT: .	SCALE: AS SHOWN	DATE: .	
DRAWN BY: .	PROJECT MGR: .	CLIENT: .	FILE NO: .	DATE: .	
CHECKED BY: M.V.		CLIENT: .		DATE: .	



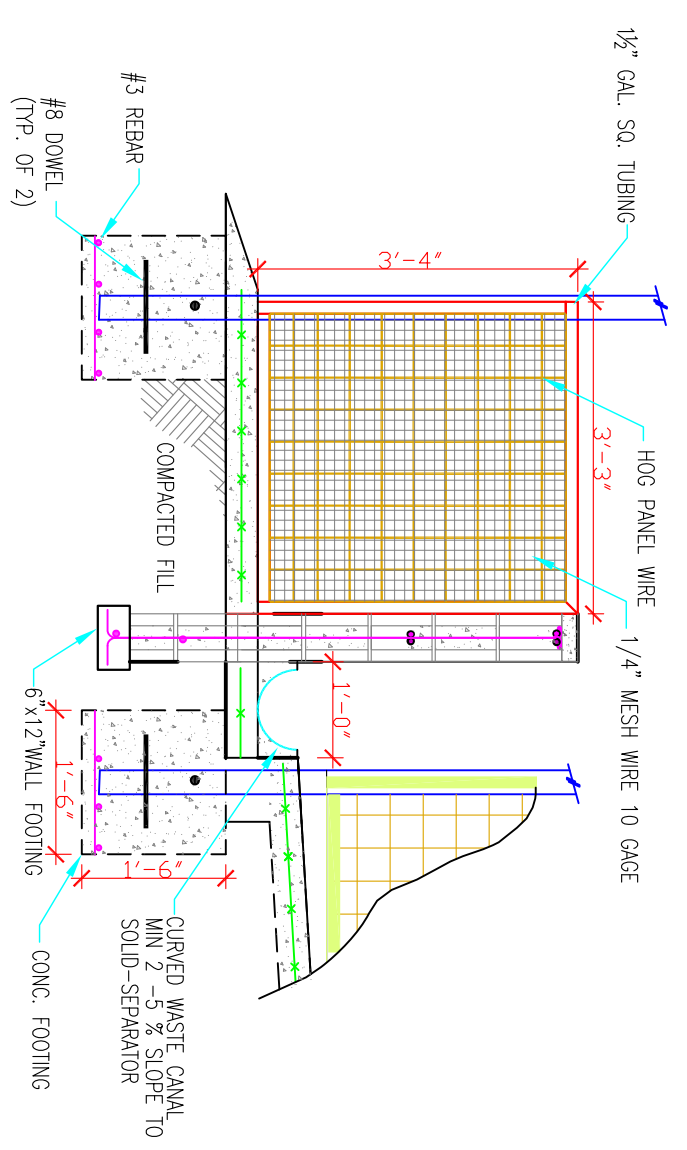
DRWN BY: .	PROJECT MGR: .
CHECKED BY: M.V.	



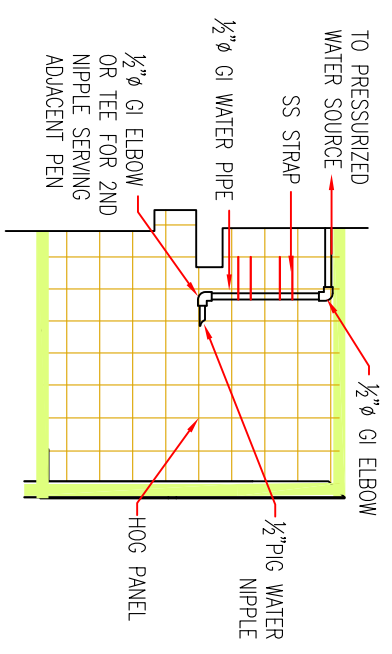
4 PEN GATE ASSEMBLY DETAIL  
1/2"=1'



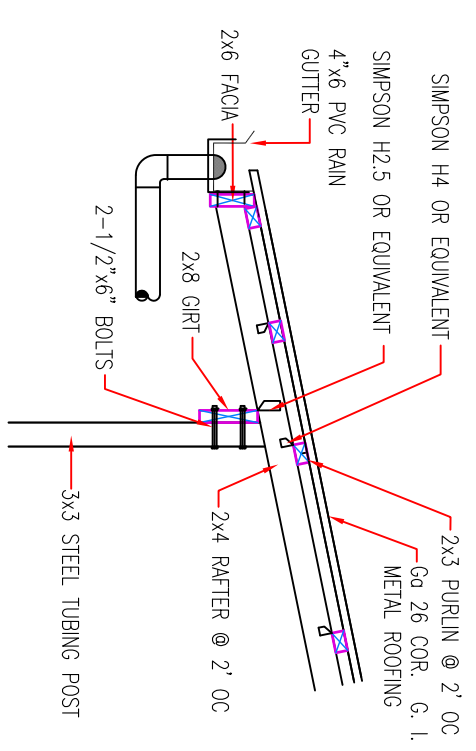
3 SOLID-SEPARATOR ASSEMBLY DETAIL  
1/4"=1'



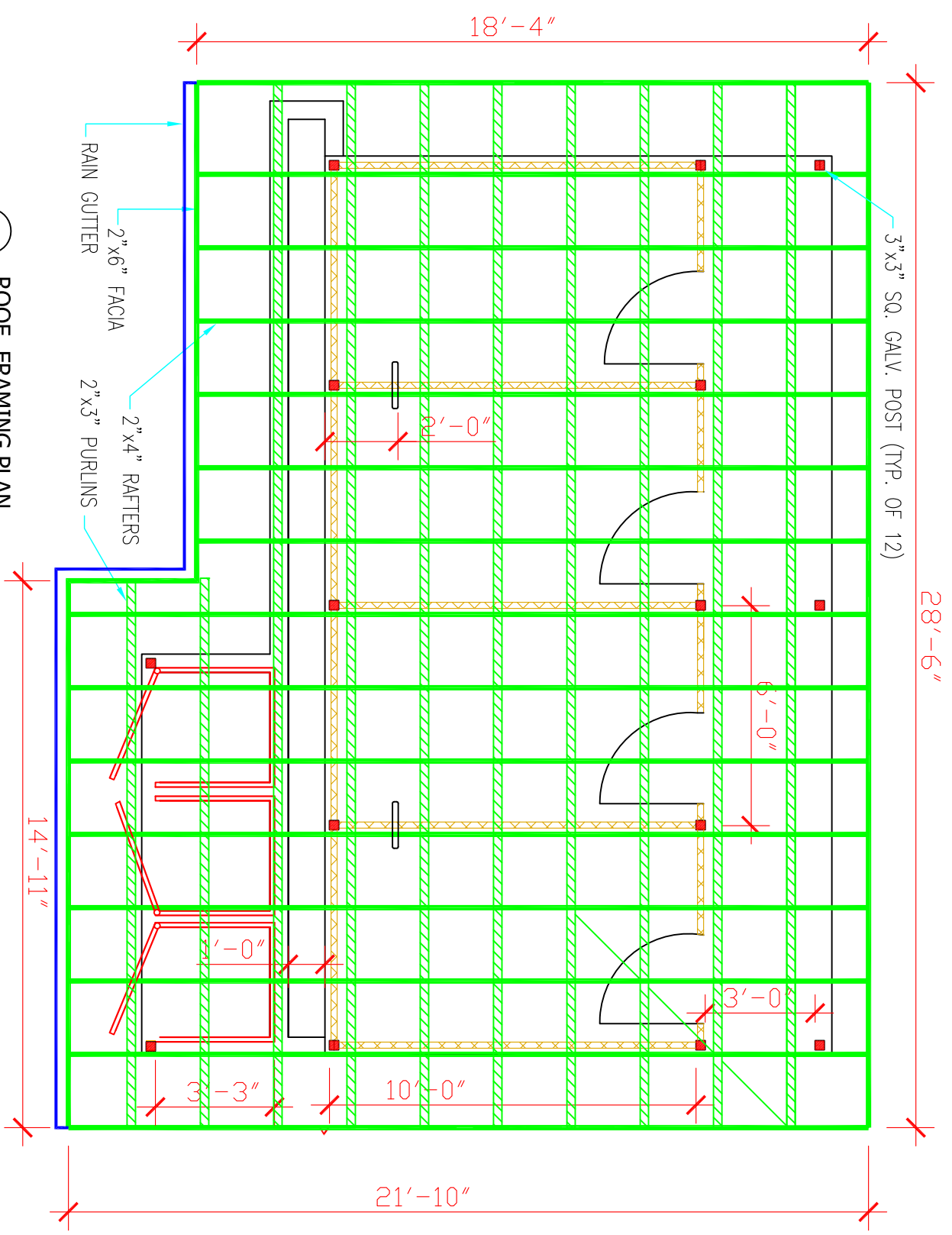
2 COMPOST BIN & WASTE CANAL CROSS-SECTION DETAIL  
1/2"=1'



5 PIG WATER NIPPLE DETAIL  
1/2"=1'



5 ROOFING & GUTTER DETAIL  
1/2"=1'



1 ROOF FRAMING PLAN  
1/4"=1'

<p>CLIENT:</p>		<p>SHEET TITLE: <b>ROOF FRAMING PLAN &amp; DETAILS</b></p>		<p>PROJECT: ENGINEERING DESIGNS FUNDED BY ANA GRANT "PIGS IN PARADISE"</p>						<p>SHEET NO. <b>4</b></p>	
<p>SCALE:</p>	<p>AS SHOWN</p>	<p>CASE NO.</p>	<p>DATE:</p>	<p>DRAWN BY:</p>	<p>CHECKED BY:</p>	<p>PROJECT MGR:</p>	<p>DATE:</p>	<p>REVISION:</p>	<p>DATE:</p>	<p>REVISION:</p>	<p>DATE:</p>
<p>4 OF 4</p>											